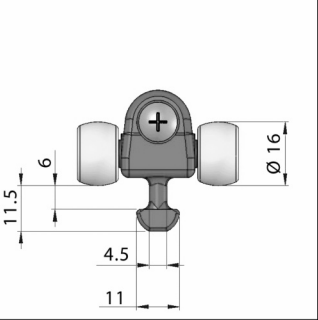
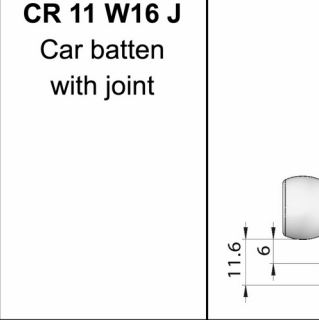
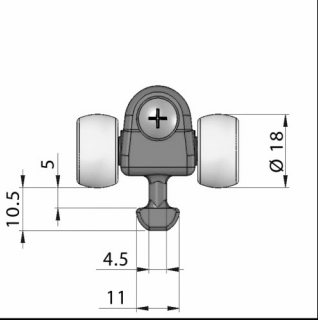
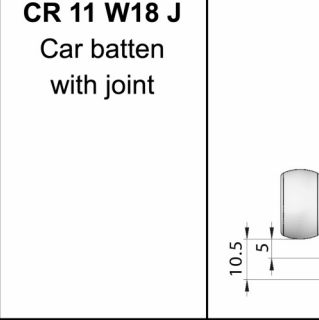
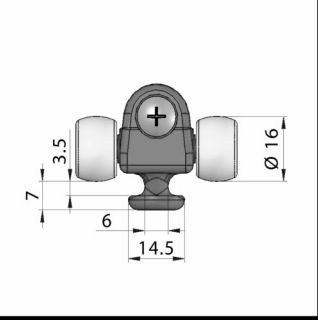
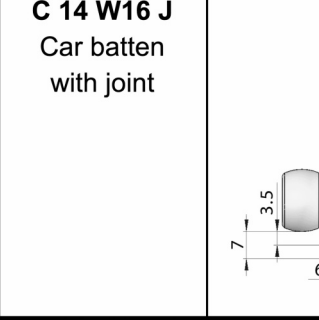
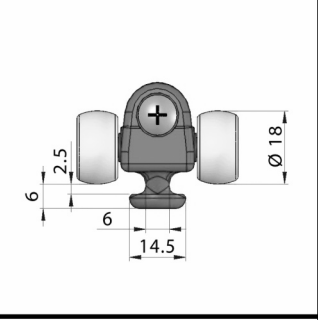
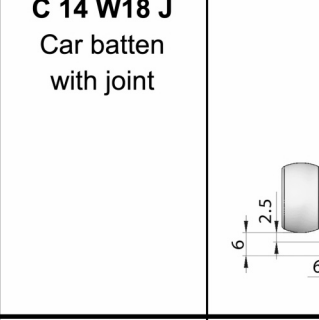
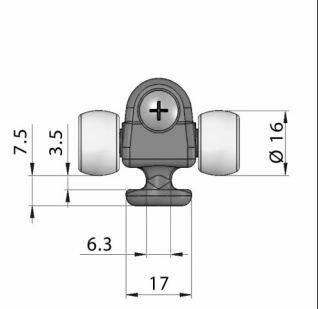
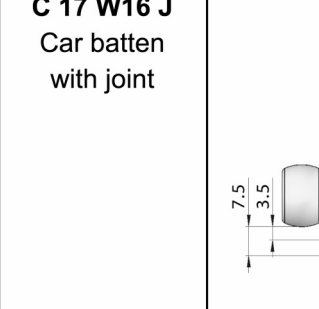
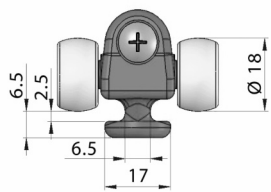
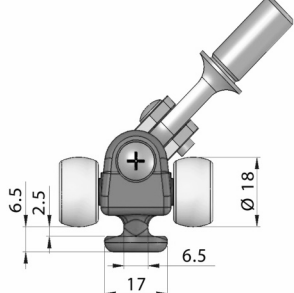
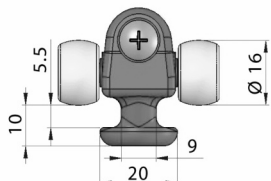
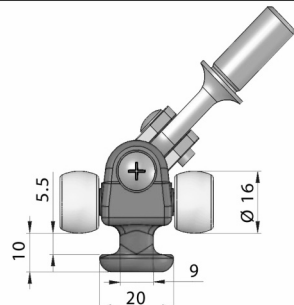
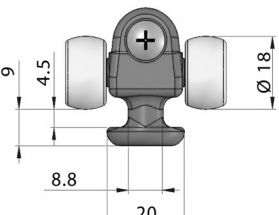
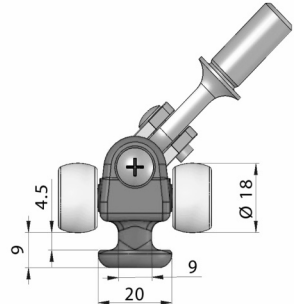
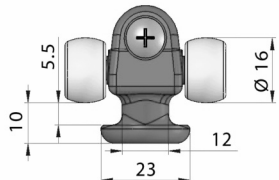
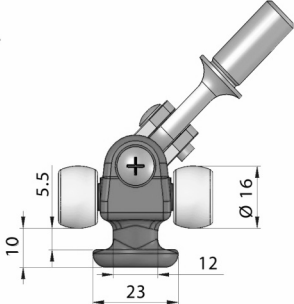
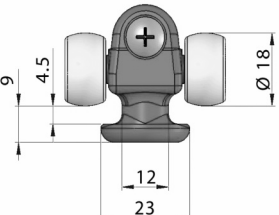
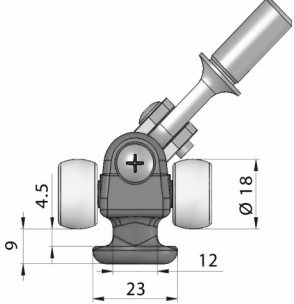


ALL BLACK CARS

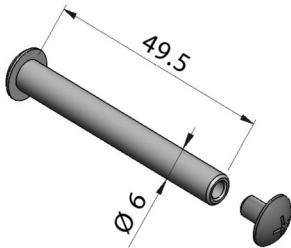
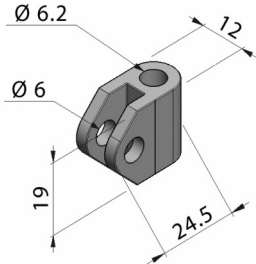
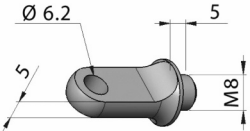
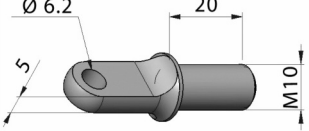
Type	Measurements (mm)	Type	Measurements (mm)
CR 11 W16 Car batten		CR 11 W16 J Car batten with joint	
CR 11 W18 Car batten		CR 11 W18 J Car batten with joint	
C 14 W16 Car batten		C 14 W16 J Car batten with joint	
C 14 W18 Car batten		C 14 W18 J Car batten with joint	
C 17 W16 Car batten		C 17 W16 J Car batten with joint	

ALL BLACK CARS

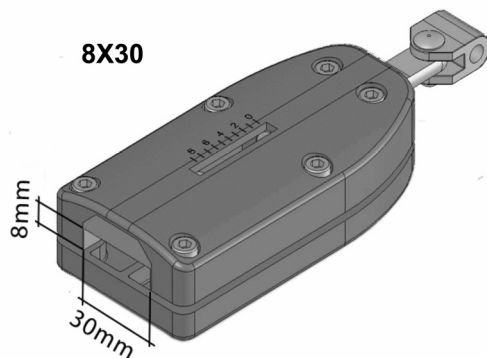
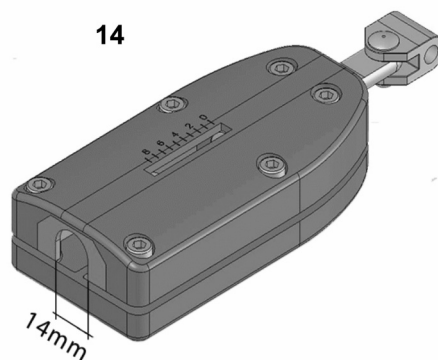
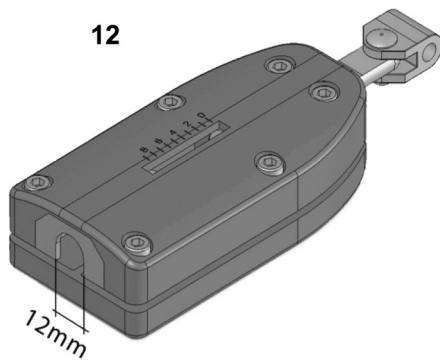
Type	Measurements (mm)	Type	Measurements (mm)
C 17 W18 Car batten		C 17 W18 J Car batten with joint	
C 20 W16 Car batten		C 20 W16 J Car batten with joint	
C 20 W18 Car batten		C 20 W18 J Car batten with joint	
C 23 W16 Car batten		C 23 W16 J Car batten with joint	
C 23 W18 Car batten		C 23 W18 J Car batten with joint	

ALL BLACK CARS











ACCESSORIES

Type	Measurements (mm)	Type	Measurements (mm)
SCREW		JOIN	
PIN 8x5		PIN 10x20	

TENSIONER



ALL BLACK CAR

Type	Fits mast section (only geometric fit)								BREAKING LOAD
	Selden				John Mast	Soromap	Sparcraft	Z-spars	
	E-section		D-section	C-section					
	(10° aft face)	(round aft face)							
CR 11 W16 	138/95 155/104 170/115 177/124 189/132 206/139 224/150 237/162 274/185	147/95 162/104 178/115 216/139 239/162	129/100 137/113 146/112 160/132	C080 C086 C096 C106 C116 C126 C138	135D 148D 150D 165D 167D 185D 186D 208D 222D 245D 280D 305D 335D	NF200 NF270 NF350 NF430 NF540	F135 F195 F305 F385 F460 S622 S830	Z301 Z351 Z380 Z401 Z501 Z531 Z601 Z602 Z701 Z702	
CR 11 W18 					150E 116E 125E	NF200 NF270 NF350 NF430 NF540	F35 F50 F87 F78 F101 S137 S180 S260 S330 IMS80 IMS256	Z170 Z190 Z230 Z265	
C 14 W16 									
C 14 W18 									
C 17 W16 									
C 17 W18 									
C 20 W16 					220E 262E 290E		NG60 NG70 NG80 NG86 F580 F740 F1060 F1395 S1630 S2100 F2390 F3360 F4600	Z902 Z1001 Z1250 Z1400	
C 20 W18 				C211 C227 C245 C264 C285 C304					
C 23 W16 									
C 23 W18 				C321/171 C366/194			S830 S1060 S1170 S1395 S1630 S2100 S3360 S4600 S7800		